

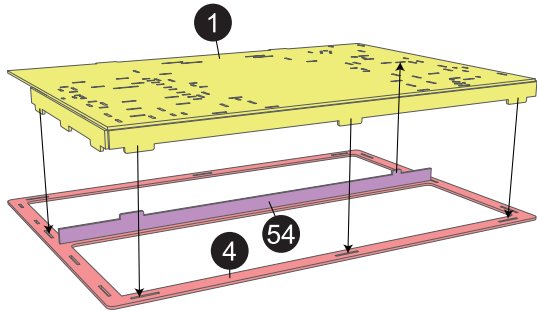


ABERDEEN FC

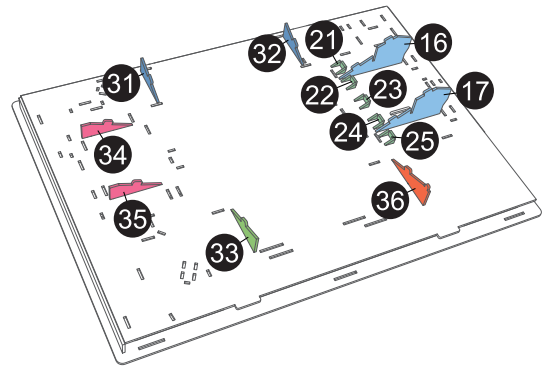
PITTODRIE STADIUM 3D PUZZLE

ASSEMBLY INSTRUCTIONS

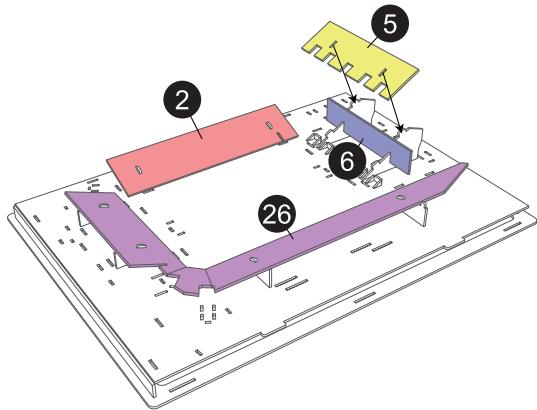
A



B



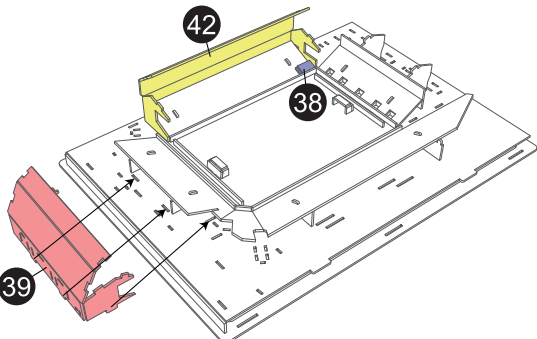
C



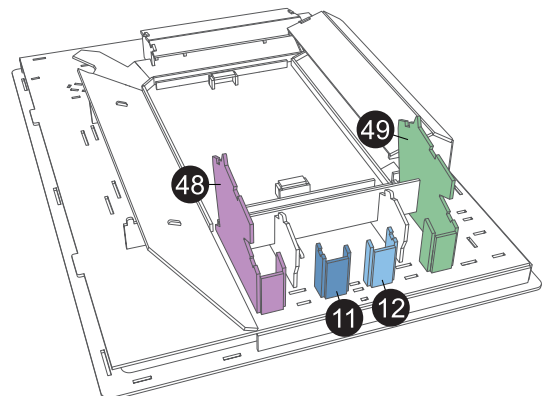
D



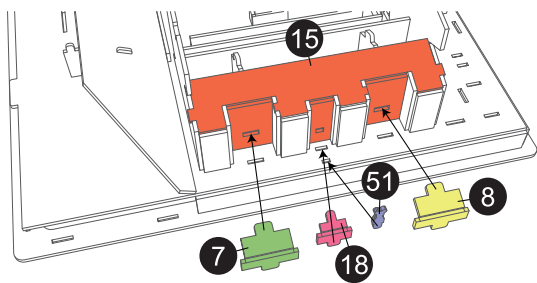
E



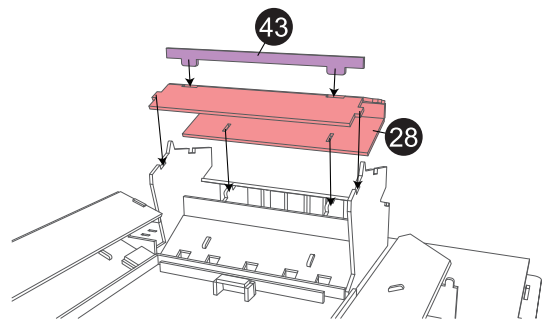
F



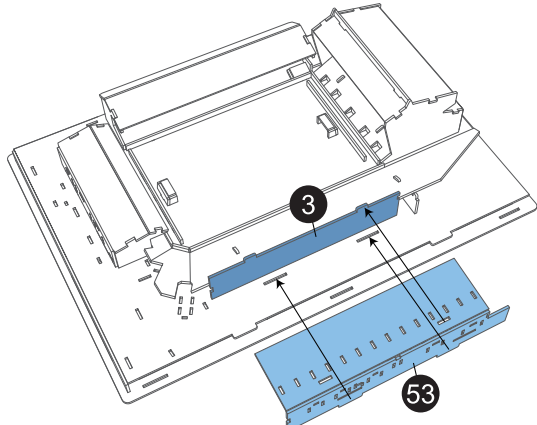
G



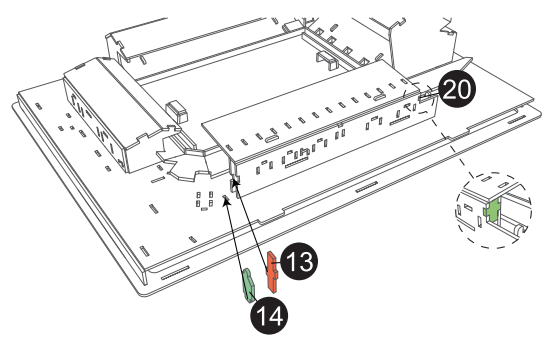
H

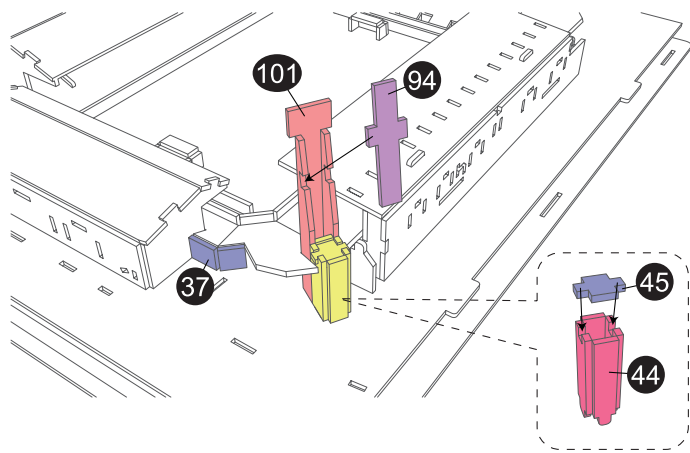
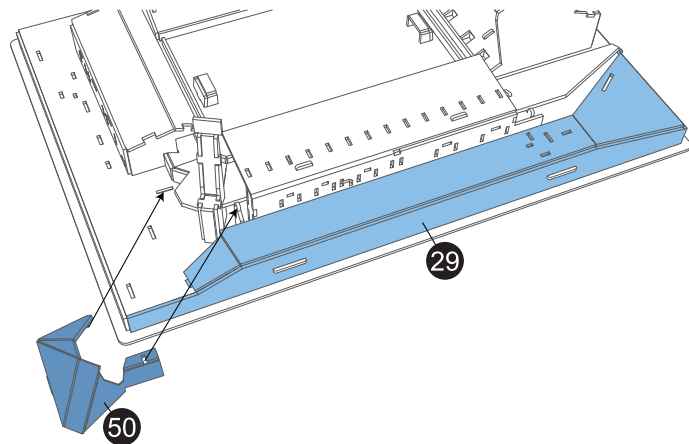
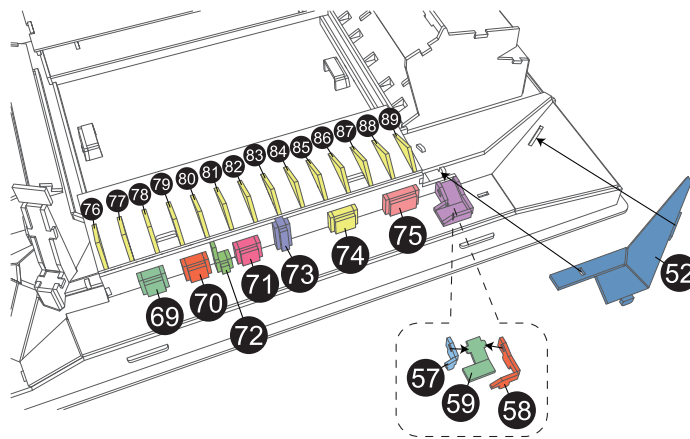
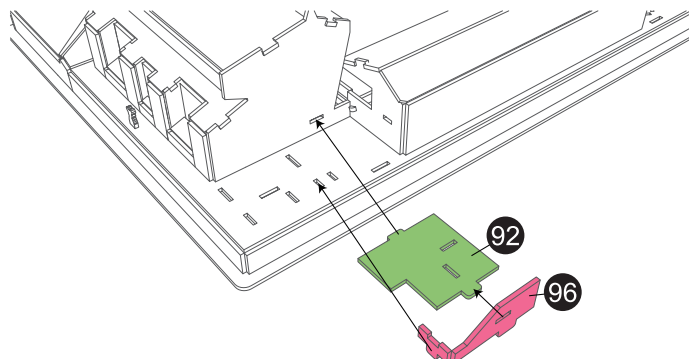
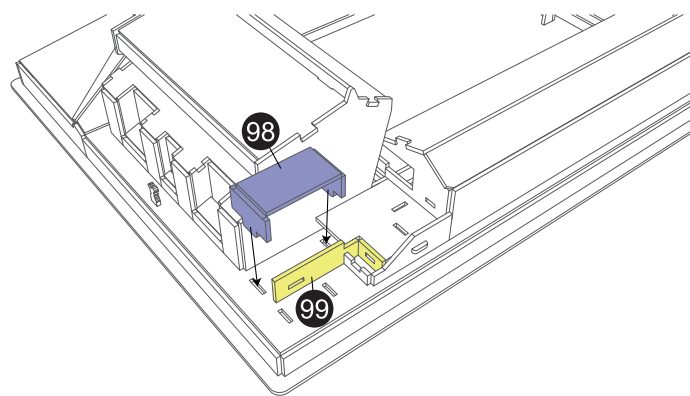
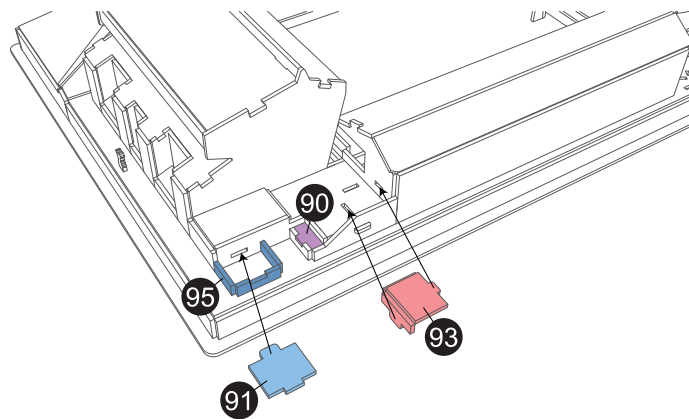
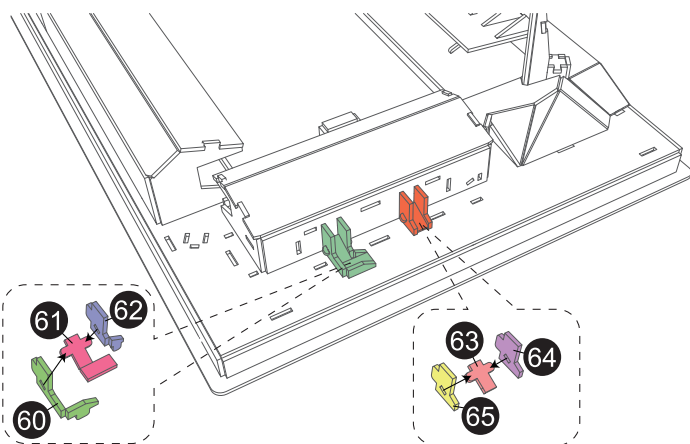


I



J



K**L****M****N****O****P****Q****R**