



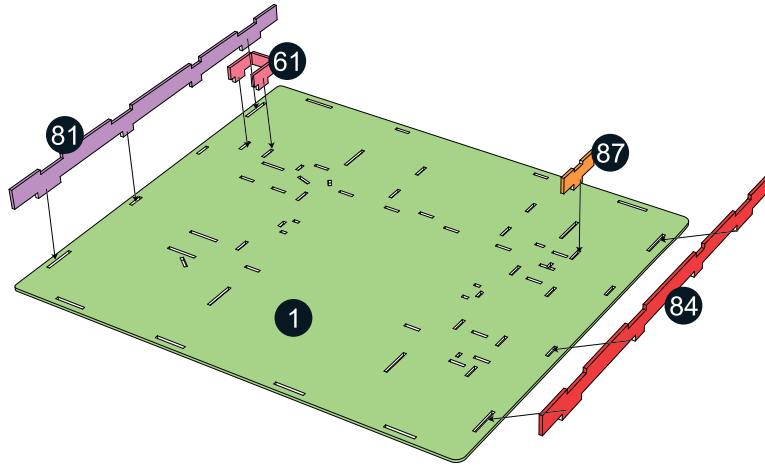
# CRYSTAL PALACE F.C.

## SELHURST PARK STADIUM

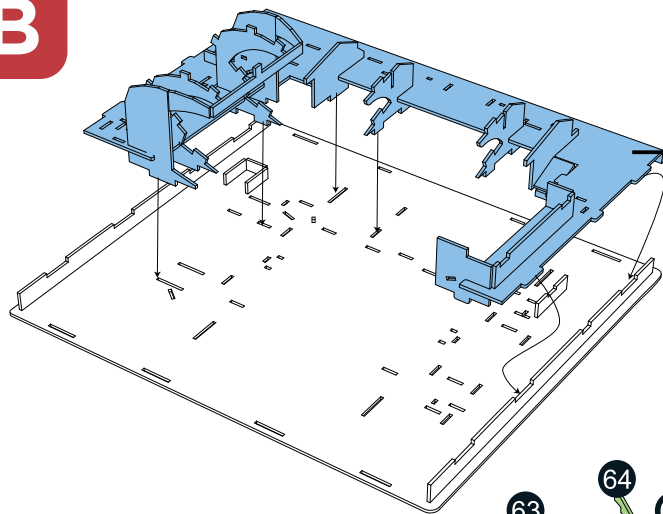
### 3D PUZZLE ASSEMBLY INSTRUCTIONS

ITEM# ND1019

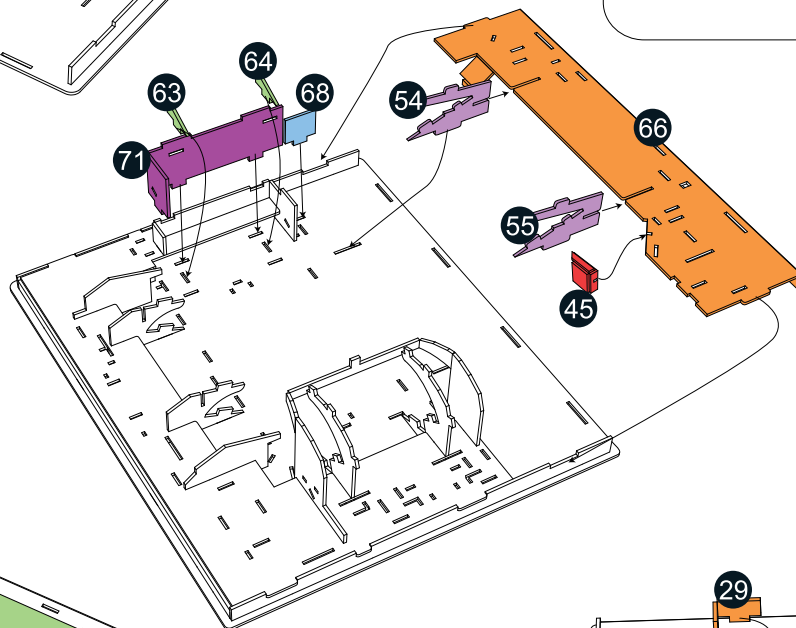
**A**



**B**



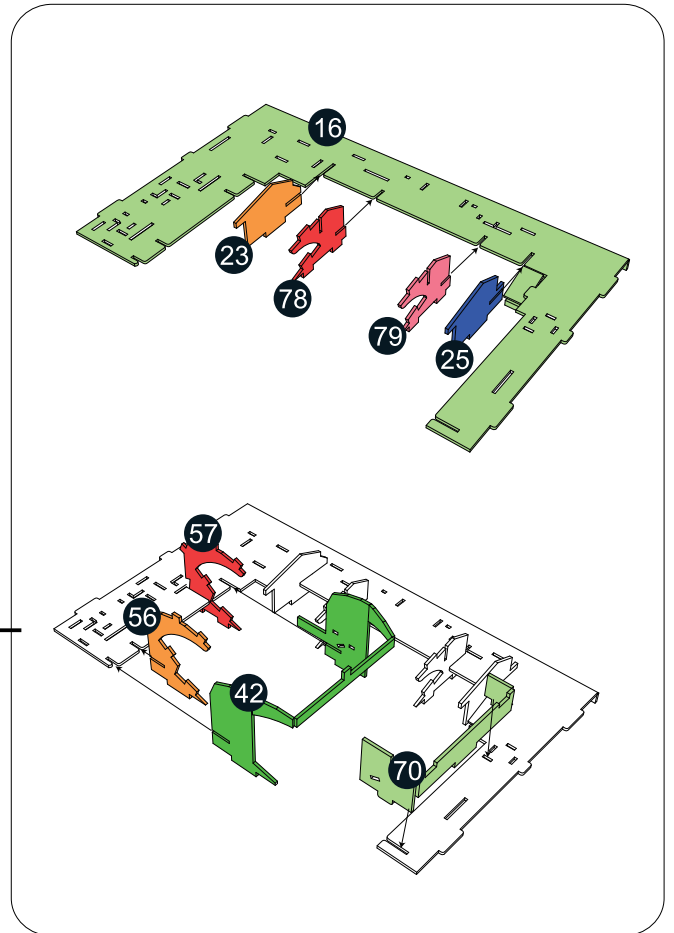
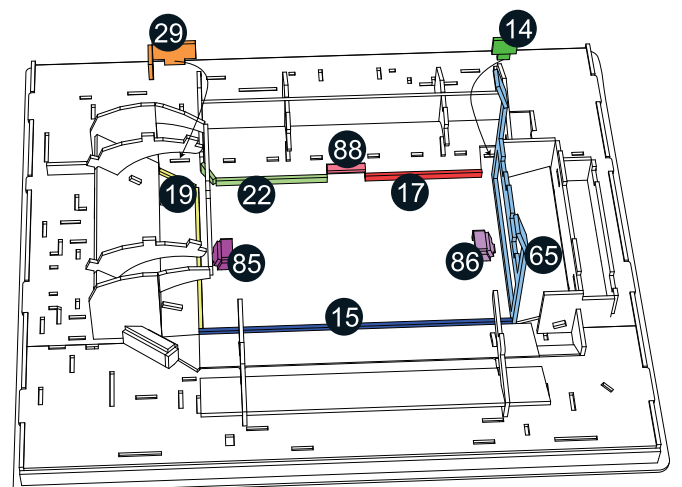
**C**

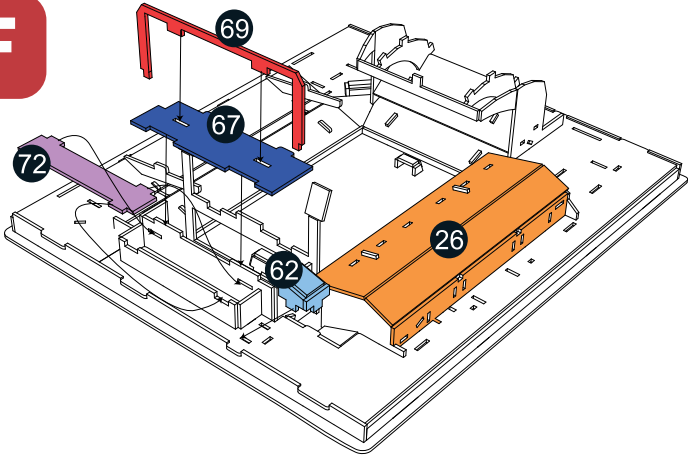
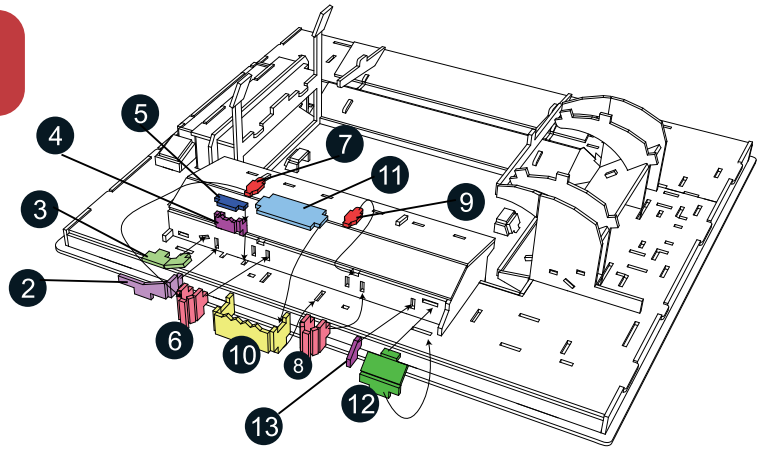
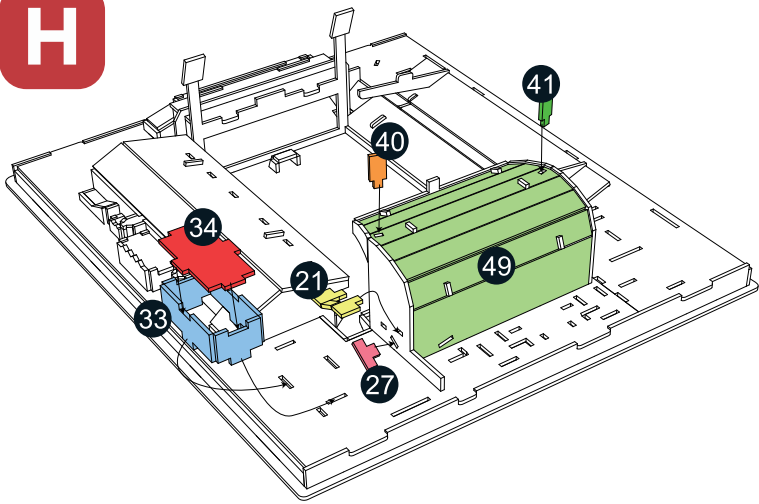
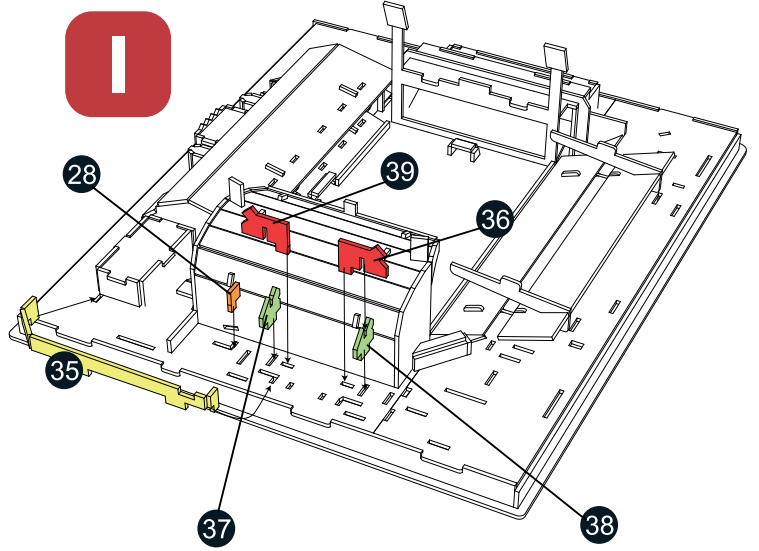
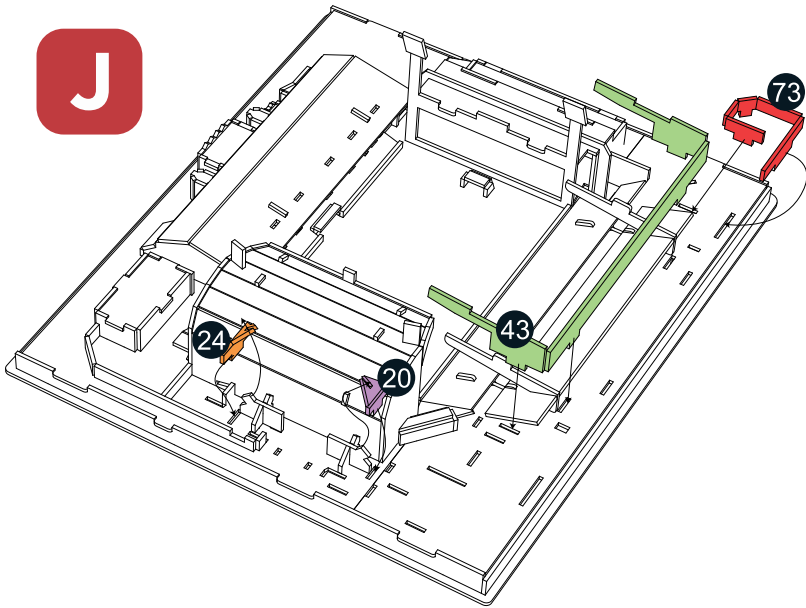
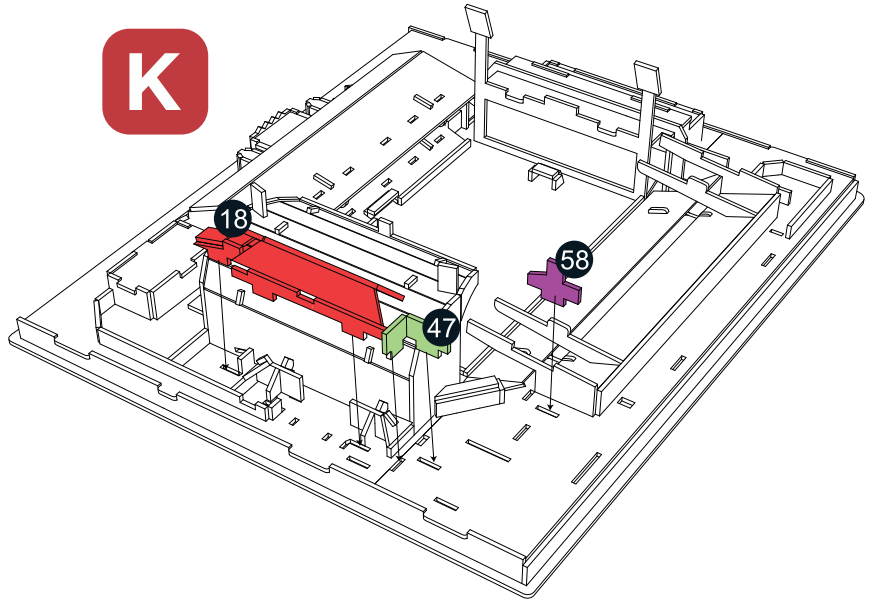
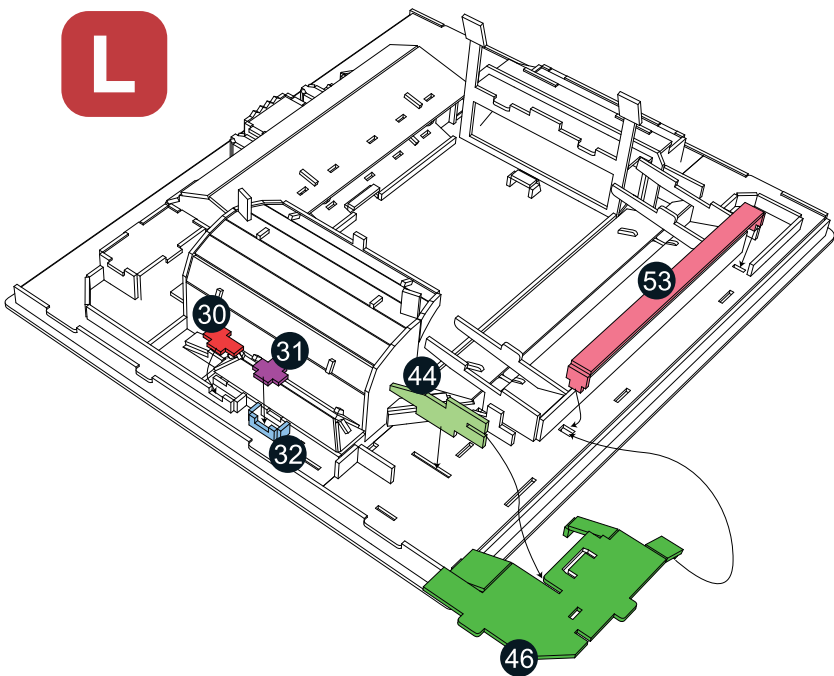


**D**



**E**



**F****G****H****I****J****K****L****M**