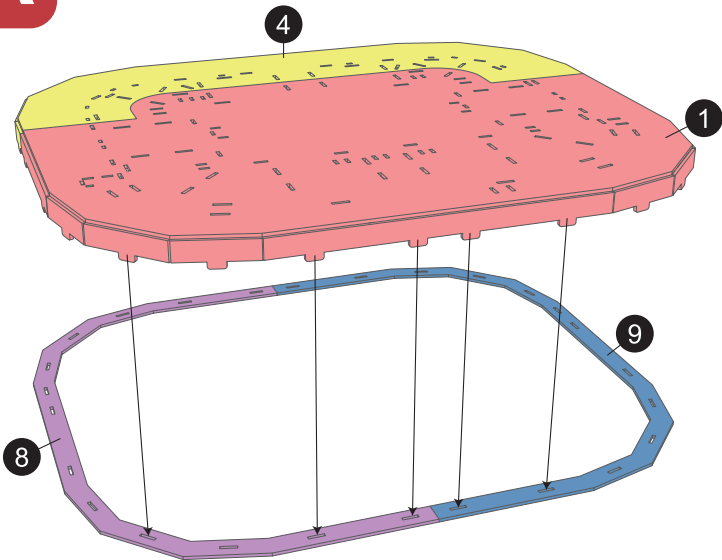




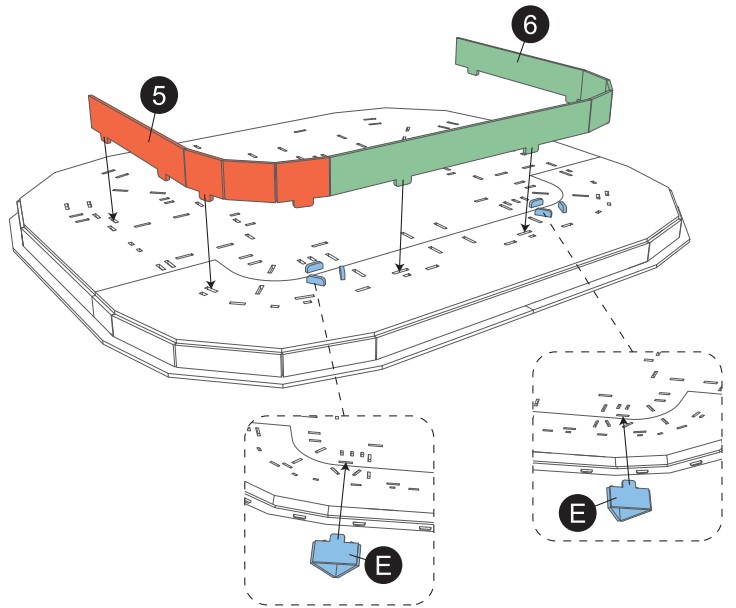
# KING POWER STADIUM

## 3D PUZZLE ASSEMBLY INSTRUCTIONS

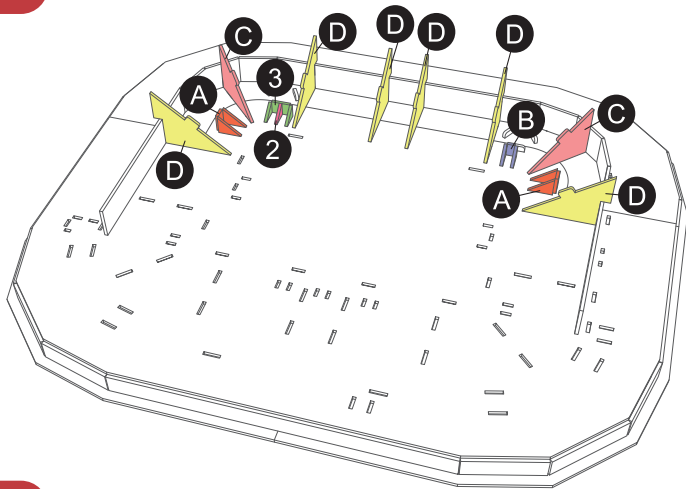
**A**



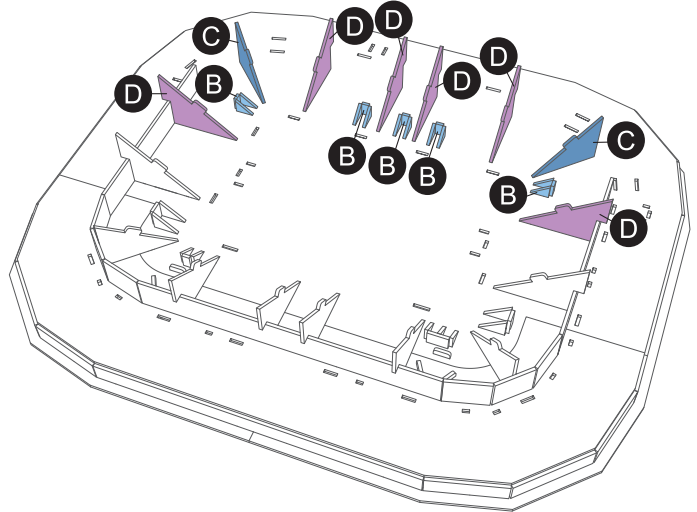
**B**



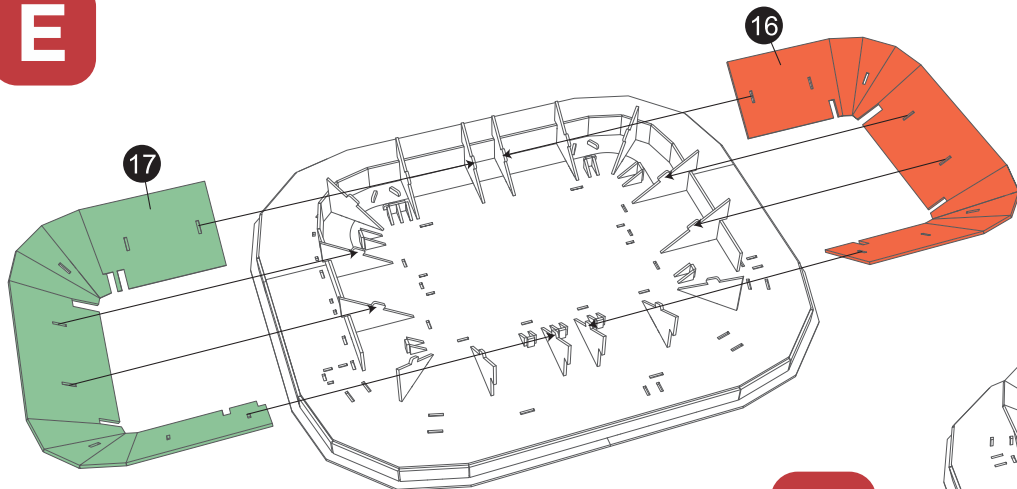
**C**



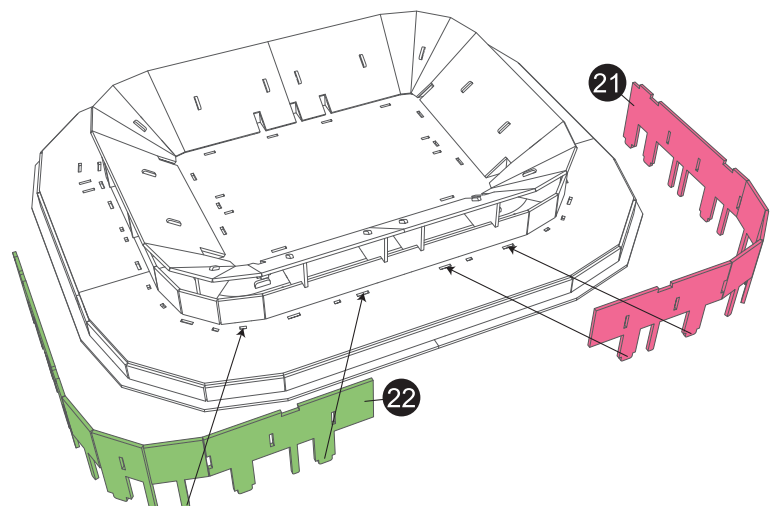
**D**



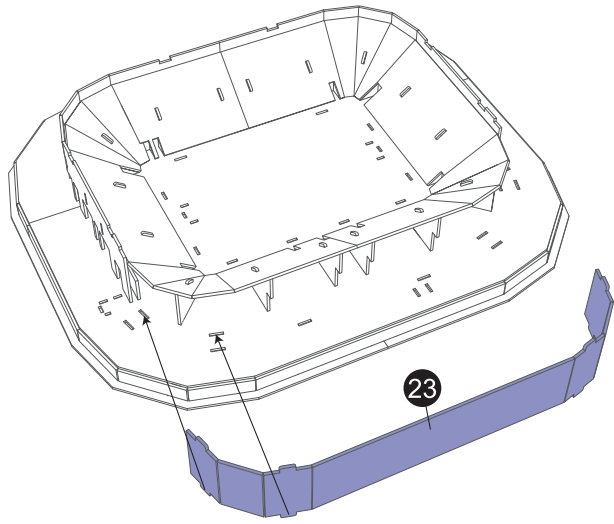
**E**



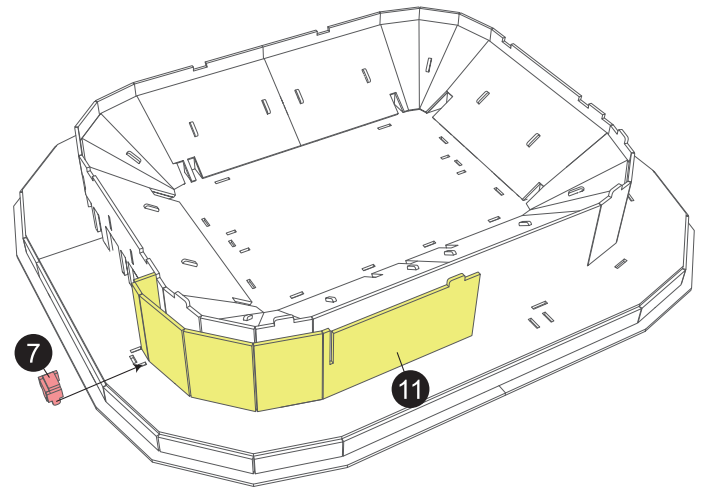
**F**



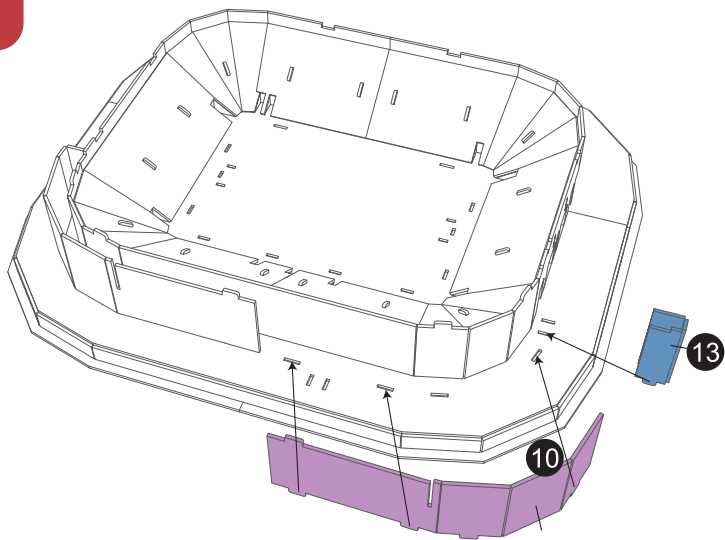
**G**



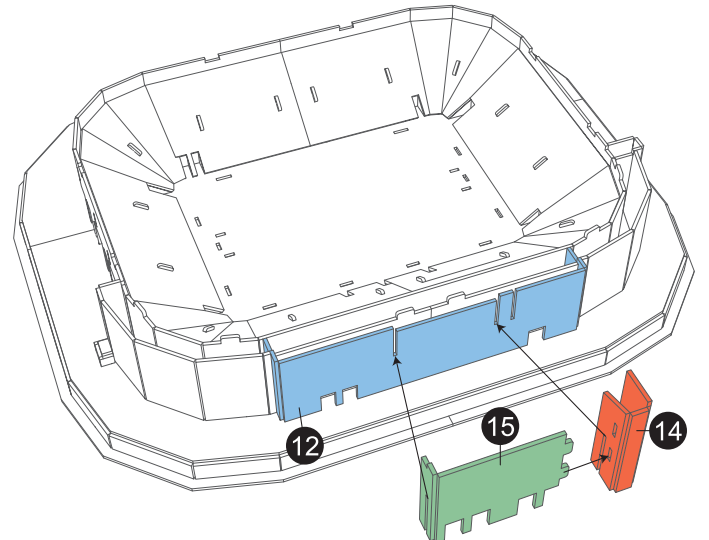
**H**



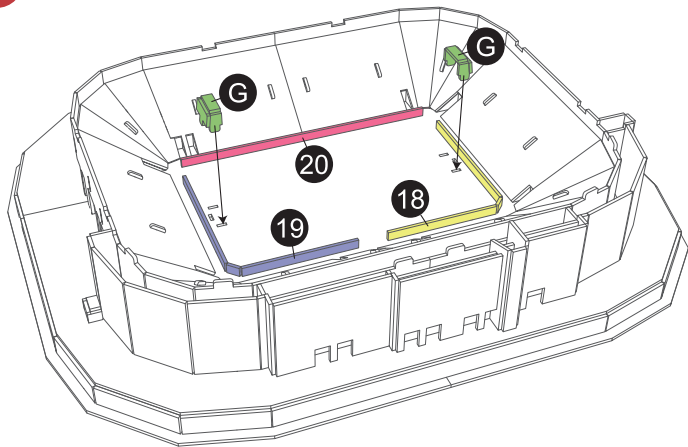
**I**



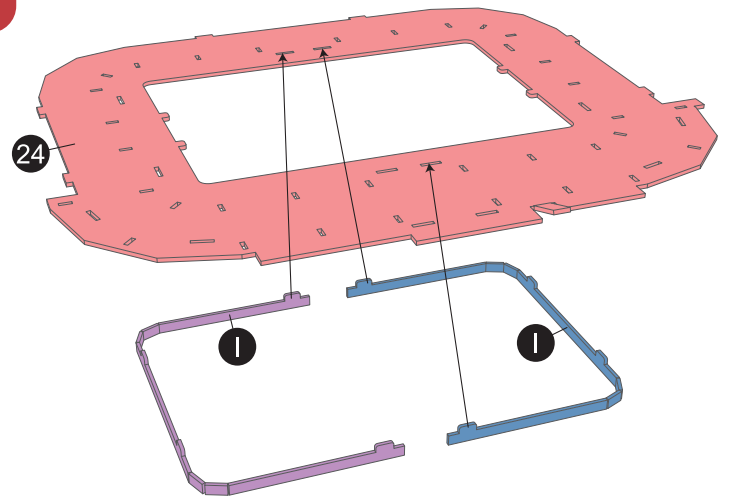
**J**



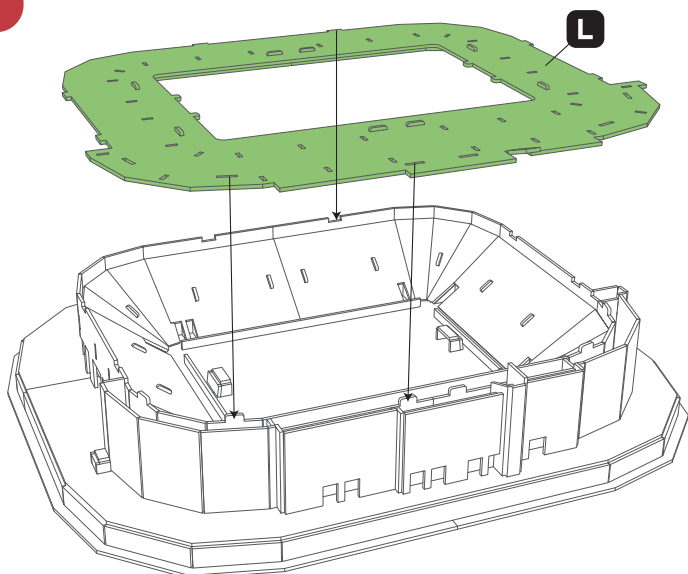
**K**



**L**



**M**



**N**

